



Verdant

Eclipse Room Temperature Controller is designed to control the ambient in a stylish way, thanks to premium materials and finishes. It is also equipped with multiple sensors to automate the ambient; thus becomes a switch, a sensor and a design material.

Features

SUPER KNOB: All functions including temperature change is controlled via single Knob. Just rotate Knob to change room temperature or press and rotate to select which function to change.

CONFIGURABLE FUNCTIONS: Eclipse Thermostat has several functions like temperature change, operation mode, operating mode, fan control and AC vane control. Functions are configured via ETS and only functions that configured are displayed in the screen.

CUSTOMIZABLE BUTTONS: There are 2 backlight icon buttons which can be configured to control any function in the room such as switching or dimming; or can be configured to control thermostat functions.

ADAPTIVE BACKLIGHTS: Light sensor measures ambient light and icon backlights are dimmed according to the light level in the room.

PROXIMITY SENSOR: Proximity sensor senses the approach and backlights of icons are dimmed up to welcome customer in the dark ambient.

BUILT-IN THERMOSTAT: Eclipse PB Switch can control HVAC systems via built-in thermostat logic, temperature sensor and humidity sensor.

AIR QUALITY MEASUREMENT: Eclipse PB Switch measures CO2 inside the room with its built-in sensor. Air-quality of the room can be checked on main page or air-quality page in detail. Logic functions can be triggered according to the air-quality level via KNX.

ADAPTIVE BACKLIGHTS: Light sensor measures the ambient light in the room and provides perfect level of brightness for any environment.

PROXIMITY SENSOR: The Eclipse PB Switch is equipped with a sophisticated proximity sensor that detects user is approaching the device and provides a welcoming and comfortable user experience.

Material and Colour Options

Brushed Finish

Pure form of stainless steel, brass and aluminium are brushed with perfect craftsmanship to provide satin effect in each touch to the device.



Stainless Steel



Brass



Aluminum Black



Aluminum Grey

Silky-Matte Finish

Aluminium is painted with unique colours and coated with special techniques to provide silky feeling in each touch to the product.



Glacier White



Titanium Grey



Obsidian Black



Sand Beige



Verdant



Cocoa Grey

Ordering Tips:

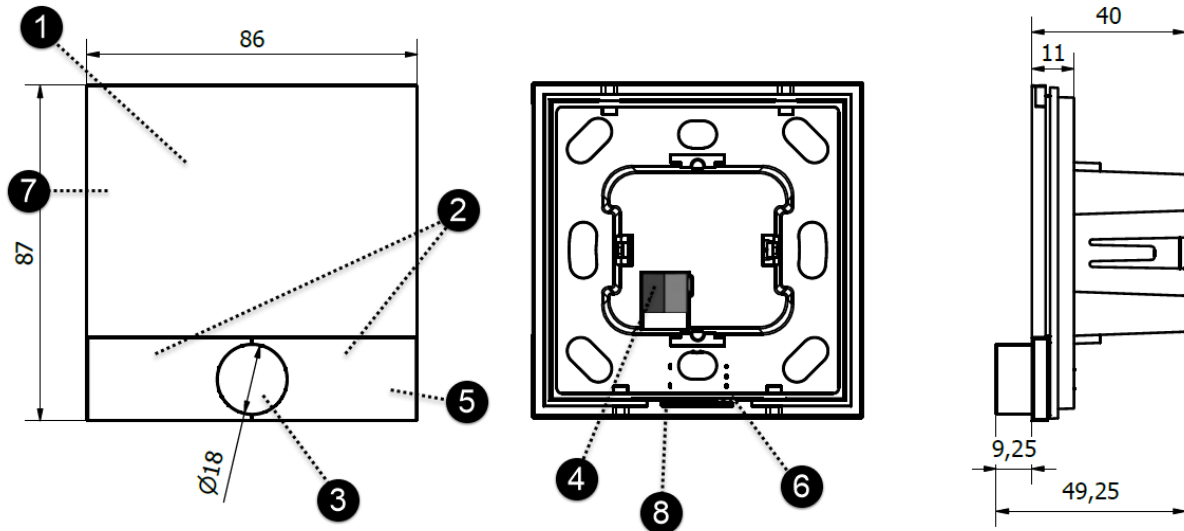
Use online planner to create an Eclipse Room Controller.

<https://planner.core.com.tr/>

Technical Specification

Sensors:	Temperature – Accuracy Rate: +/- 0,2°C Humidity – Accuracy Rate: +/- 0,2°C CO2 Proximity & Light
Display:	3.5" VA Display
Dimensions:	86mm X 86mm X 11mm
Fold Material:	Aluminium, Brass and Stainless Steel depending on the finish selection
Knob Material:	Brass and Stainless Steel depending on the finish selection
Power:	30 VDC - from KNX Bus Line
Consumption:	< 15 mA from KNX Bus-line
Connectivity:	KNX-TP
Programming Tool:	ETS
Installation:	German IEC/EN 60670 In wall Box
Operating Temperature:	0°C / +70°C
Storage Temperature:	-20°C / +70°C
Relative Humidity:	95% not condensing
Certification:	Device complies with Electromagnetic Compatibility Directive(2014/30/EU). Tests carried out according to EN55032:2015 and EN55035:2017.

Dimensional drawing (all dimensions are in mm)



- | | |
|------------------|----------------------------------|
| 1. Display | 5. KNX Programming Button |
| 2. Buttons | 6. CO2 Sensor |
| 3. Super Knob | 7. Proximity Sensor |
| 4. KNX Connector | 8. Temperature & Humidity Sensor |