

Eclipse Room Controller is designed to be the most exclusive touch panel for rooms. Simply, one digital control panel equipped with multiple sensors to control all. The high-quality display and premium materials combined with a sleek and stylish design language that matches other Core products. At only 11mm in thickness, the Eclipse Room Controller is both discreet and elegant, blending seamlessly into any room decor.

Features

INTUITIVE USER INTERFACE: The intuitive user interface of the Eclipse Room Controller is designed to provide a seamless control experience, making it easy to manage all your smart home devices with just a few taps.

HIGH QUALITY DISPLAY: The crystal-clear HD display of the Eclipse Room Controller ensures that all information and graphics are displayed with incredible clarity and sharpness. This means that users can easily view all information and control their devices with ease, even from a distance. (4", 720 x 720 pixels)

EXTENSIVE APPLICATION: Eclipse Room Controller activates many functions. Switching, Dimming, RGB Control, Tunable White, Thermostat Functionality, AC Control, Blinds, Jalousie, Scene, Energy Display, Audio, Air Quality.

BUILT-IN THERMOSTAT: Eclipse Room Controller can control HVAC systems via built-in thermostat logic, temperature sensor and humidity sensor.

AIR QUALITY MEASUREMENT: Eclipse Room Controller measures CO2 inside the room with its built-in sensor. Air-quality of the room can be checked on main page or air-quality page in detail. Logic functions can be triggered according to the air-quality level via KNX.

ADAPTIVE BACKLIGHTS: Light sensor measures the ambient light in the room and provides perfect level of brightness for any environment.

PROXIMITY SENSOR: The Eclipse Room Controller is equipped with a sophisticated proximity sensor that detects user is approaching the device and provides a welcoming and comfortable user experience.

PAGE – ELEMENTS: Eclipse Room Controller has 12 pages with a maximum of 64 control elements. This extensive range of control options provides users with unparalleled control over their smart home devices.

Material and Colour Options

Brushed Finish

Pure form of stainless steel, brass and aluminium are brushed with perfect craftsmanship to provide satin effect in each touch to the device.



Stainless Steel



Brass



Aluminum Black



Aluminum Grey

Silky-Matte Finish

Aluminium is painted with unique colours and coated with special techniques to provide silky feeling in each touch to the product.



Glacier White



Titanium Grey



Obsidian Black



Sand Beige



Verdant



Cocoa Grey

Ordering Tips:

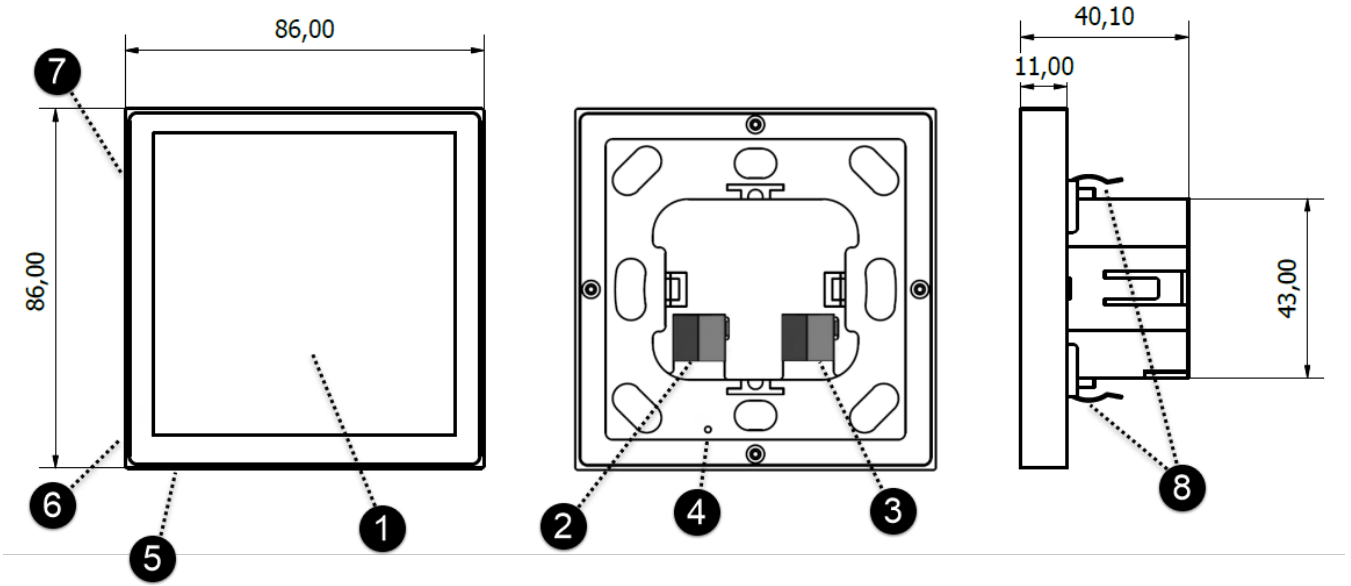
Use online planner to create an Eclipse Room Controller.

<https://planner.core.com.tr/>

Technical Specification

Processor:	Arm Cortex-A7 900MHz 512 MB DDR3 RAM Embedded Linux Operating System
Display:	IPS TFT 4" – 720px X 720px 400 cd/m ² HD Display
Sensors:	Temperature – Accuracy Rate: +/- 0,2°C Humidity – Accuracy Rate: +/- 0,2°C CO ₂ Proximity & Light
Dimensions:	86mm X 86mm X 11mm
Casing Material:	Aluminium, Brass and Stainless Steel depending on the finish selection
Power:	12- 30 VDC - via KNX Auxiliary Power Supply or separate PS
Consumption:	< 70 mA from KNX Auxiliary Power Supply < 10 mA from KNX Bus-line
Connectivity:	KNX-TP
Programming Tool:	ETS
KNX Figures:	Max. Page: 12 Max. Control Element: 64
Installation:	German IEC/EN 60670 In wall Box
Operating Temperature:	0°C / +70°C
Storage Temperature:	-20°C / +70°C
Relative Humidity:	95% not condensing
Certification:	Device complies with Electromagnetic Compatibility Directive(2014/30/EU). Tests carried out according to EN55032:2015 and EN55035:2017.

Dimensional drawing (all dimensions are in mm)



- | | |
|------------------------------|--|
| 1. HD Display | 5. Position of Temperature and Humidity Sensor |
| 2. Power Connector (12V-30V) | 6. Position of CO2 Sensor |
| 3. KNX Connector | 7. SD Card Slot |
| 4. KNX Programming Button | 8. Mouting Clips |