

Eclipse Push Button Switch is designed to control the ambient in a stylish way, thanks to premium materials and finishes. It is also equipped with multiple sensors to automate the ambient; thus becomes a switch, a sensor and a design material.

## Features

**CUSTOMIZABLE ICONS:** Icon or text can be engraved to each button in folds. Thanks to dedicated online planner, customer can select icons from extensive icon library or write text accordingly.

**RGB BACKLIGHTS:** RGB Backlights of the icons indicate the status of connected load. Color of the backlight can be configured via ETS programming tool.

**ADAPTIVE BACKLIGHTS:** Light sensor measures ambient light and icon backlights are dimmed according to the light level in the room.

**PROXIMITY SENSOR:** Proximity sensor senses the approach and backlights of icons are dimmed up to welcome customer in the dark ambient.

**BUILT-IN THERMOSTAT:** Eclipse PB Switch can control HVAC systems via built-in thermostat logic, temperature sensor and humidity sensor.

**AIR QUALITY MEASUREMENT:** Eclipse PB Switch measures CO2 inside the room with its built-in sensor. Air-quality of the room can be checked on main page or air-quality page in detail. Logic functions can be triggered according to the air-quality level via KNX.

**ADAPTIVE BACKLIGHTS:** Light sensor measures the ambient light in the room and provides perfect level of brightness for any environment.

**PROXIMITY SENSOR:** The Eclipse PB Switch is equipped with a sophisticated proximity sensor that detects user is approaching the device and provides a welcoming and comfortable user experience.

## Material and Colour Options

### Brushed Finish

Pure form of stainless steel, brass and aluminium are brushed with perfect craftsmanship to provide satin effect in each touch to the device.



Stainless Steel



Brass



Aluminum Black



Aluminum Grey

### Silky-Matte Finish

Aluminium is painted with unique colours and coated with special techniques to provide silky feeling in each touch to the product.



Glacier White



Titanium Grey



Obsidian Black



Sand Beige



Verdant



Cocoa Grey

Ordering Tips:

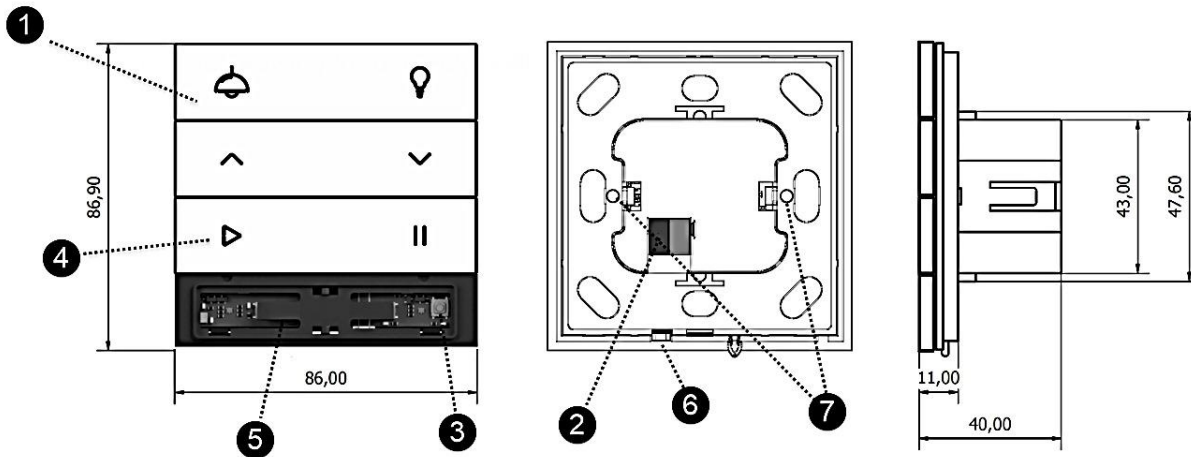
Use online planner to create an Eclipse Room Controller.

<https://planner.core.com.tr/>

## Technical Specification

<b>Sensors:</b>	Temperature – Accuracy Rate: +/- 0,2°C Humidity – Accuracy Rate: +/- 2% CO2 Proximity & Light
<b>Dimensions:</b>	86mm X 86mm X 11mm
<b>Casing Material:</b>	Aluminium, Brass and Stainless Steel depending on the finish selection
<b>Power:</b>	30 VDC - from KNX Bus Line
<b>Consumption:</b>	< 12 mA from KNX Bus-line
<b>Connectivity:</b>	KNX-TP
<b>Programming Tool:</b>	ETS
<b>Installation:</b>	German IEC/EN 60670 In wall Box
<b>Operating Temperature:</b>	0°C / +70°C
<b>Storage Temperature:</b>	-20°C / +70°C
<b>Relative Humidity:</b>	95% not condensing
<b>Certification:</b>	Device complies with Electromagnetic Compatibility Directive(2014/30/EU). Tests carried out according to EN55032:2015 and EN55035:2017.

Dimensional drawing (all dimensions are in mm)



- |                            |  |
|----------------------------|--|
| 1. Folds (Sold Separately) | 5. Position of Temperature and Humidity Sensor |
| 2. KNX Connector           | 6. Position of Light Sensor                    |
| 3. KNX Programming Button  | 7. Screw Holes                                 |
| 4. Customizable icon       |  |